

# Stainless Steel Hanger



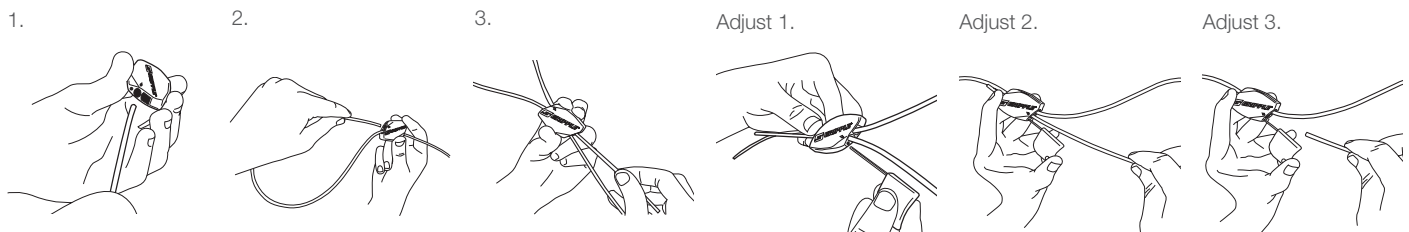
The Stainless Steel Hangers are used to suspend a variety of HVAC, mechanical and electrical services in the food industry and high humidity environments.

## FEATURES / BENEFITS

- Stainless steel housing and springs are corrosion resistant and durable in humid and saturated environments
- Ceramic rollers provide extra strength and corrosion resistance
- Aesthetically discreet and lightweight
- Available in two sizes with load ratings of 45 kg (No.2) and 90 kg (No.3)
- Supplied as a ready to use kit

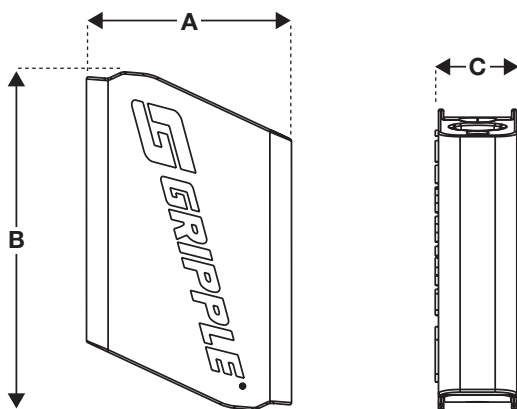


## INSTALLATION & ADJUSTMENT



Ensure a minimum 75 mm of tail wire exit the hanger.

## SPECIFICATION



Dimension	No.2 (mm)	No.3 (mm)
A	17.4	19
B	24.2	27.7
C	8	8

## AVAILABLE END FIXINGS



For more options on available end fixings please contact us or visit [www.gripple.com](http://www.gripple.com)

## SUBMITTAL INFORMATION

### Safe Working Load:

Ambient Load ratings

No.2 - 45 kg (5:1)

No.3 - 90 kg (5:1)

### Material:

**Housing** - 316L Stainless Steel

**Roller** - Sintox FA

**Spring** - Stainless Steel (type 302)

**End Cap** - PP CP UV Stabilised

PI-SSTEELHANGER-ENG

[www.gripple.com](http://www.gripple.com)

Gripple's policy is one of continuous development and innovation. We therefore reserve the right to alter specifications, etc. without notice.



Gripple Ltd | The Old West Gun Works | Savile Street East | Sheffield S4 7UQ

Tel 0800 018 4264 Fax 0114 275 1155 email [info@gripple.com](mailto:info@gripple.com)